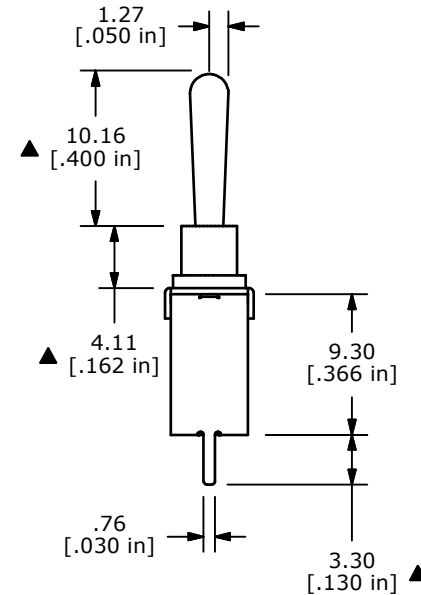
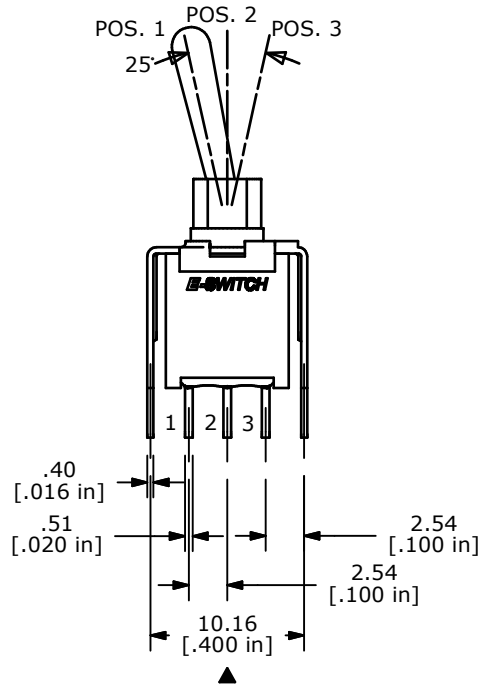
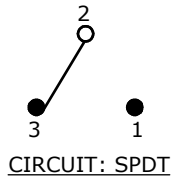


| SWITCH FUNCTION | | |
|-----------------|--------|--------|
| POS. 1 | POS. 2 | POS. 3 |
| | | |
| ON | OFF | ON |
| 2-3 | OPEN | 2-1 |



- NOTE:
1. ALL DIMENSIONS IN MM [INCH]
 2. GENERAL TOLERANCE: X.X=±0.4
X.XX=±0.25
 3. TERMINAL NUMBERS FOR REF ONLY
 - ▲ 4. PLATING MATERIAL: SILVER
 5. RATING: 1A @ 250VAC
3A @ 120VAC or 28VDC
 6. ELECTRIC LIFE: 50,000 MAKE-AND-BREAK CYCLES AT FULL LOAD.
 7. INSULATION RESISTANCE: 1,000 MEGA-OHM MIN.
 8. DIELECTRIC STRENGTH: 1,000 V RMS @SEA LEVEL.
 9. OPERATING TEMP.: -30°C to 85°C
 10. ▲ DENOTES CRITICAL PARAMETER.
 11. 2002/95/EC (ROHS) COMPLIANT



TITLE 200AWMSP3T1A1VS2QE

| | | | | |
|-----|--------|------------------|--------|-----|
| A | 21497 | NEW PART RELEASE | 7/2/14 | EBP |
| REV | PCR NO | DESCRIPTION | DATE | BY |

| | | | | |
|-------|---------------|--------|-------------|-------|
| SCALE | DATE 7/2/2014 | DR EBP | DWG T201124 | REV A |
|-------|---------------|--------|-------------|-------|

THE INFORMATION CONTAINED IN THIS DOCUMENT IS PROPRIETARY TO E-SWITCH AND IS NOT TO BE COPIED OR TRANSFERRED